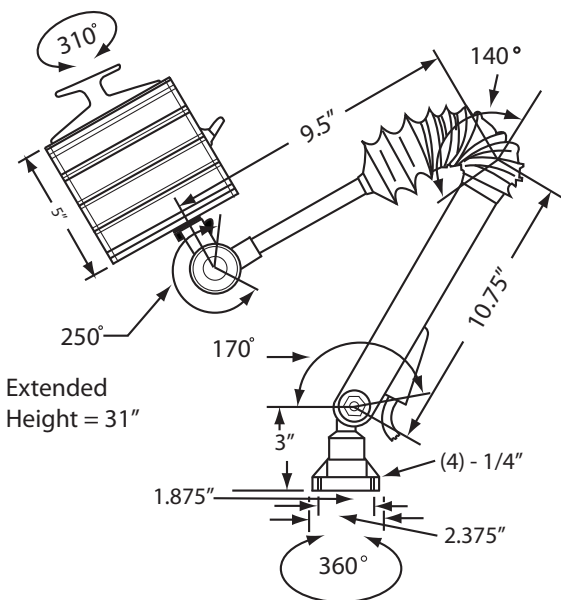


## Technical Specifications



Safety Certifications	
CE Mark of Declaration, TÜV Rheinland	
Waterproof Certification	
IP 65 (Waterproof )	
Dimensions	
• Height	28.25"
• Diameter	5.00"
• Base Dimensions	2.375" X 2.375", corners flanged with 5mm holes for mounting
• Beam	310°
• Net Weight	6 lbs
Material Specifications	
• Metal	Anodized aluminum
• Gaskets	Neoprene polymer located at glass, and switch
• Lens	Tempered borosilicate glass
Electrical Specifications	
• DC	24V
• Cycle	N/A
• Transformer	N/A, wires directly to power source
• Amperage	3.125
• Wattage	75
• Lumen rating	1,200
• Kelvin (color temperature)	4100
• On/off switch	Toggle on/off
Cord Specifications	
• Certification	SJT (oil resistant)
• Length	70"
• Plug	N/A, wires directly to power source
• Composition	14 gauge 2-conductor copper wiring, SJT (oil resistant) certified neoprene jacket
Options	
• Lens	Thick curved lens
• Mounting Brackets	HLP-22-2000 (see below) HLP-23 (see below) HLP-30 (not shown)
• Bulbs	HLP-70-H3-24, HLP-75-BI-24, HLP-100-BI-24



HLP-22-2000



HLP-23



Products specifications are subject to change.



**HALOGEN LIGHTING PRODUCTS CORPORATION™**

Telephone: 1-800-621-0001 • [www.halogen-lighting.com](http://www.halogen-lighting.com)