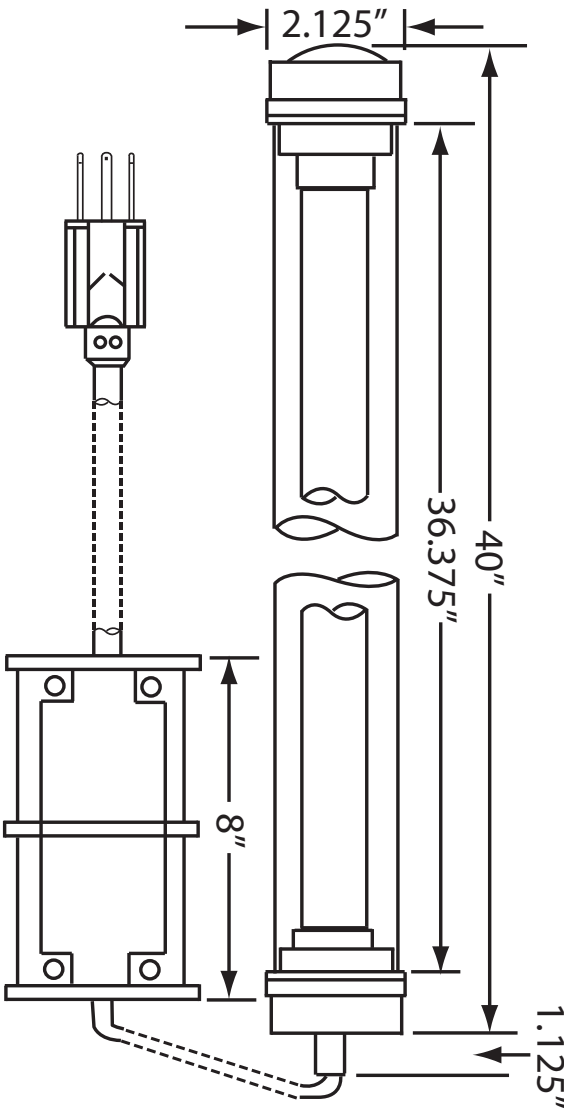


Technical Specifications



Safety Certifications	
CE Mark of Declaration, TÜV Rheinland	
Waterproof Certification	
IP 67 (Waterproof under pressure)	
Dimensions	
• Height	40.0"
• Diameter	2.125"
• Beam	180°
• Net Weight	6.5 lbs
Material Specifications	
• Plastic	PVC
• Lens	Acrylic
Electrical Specifications	
• AC	120 volts
• DC	N/A
• Cycle	60 hz
• Driver	120VAC ballast at cord. Driver is integrated on lamp's PCB
• Amperage	
• Wattage	12 1-Watt diodes
• Lumen rating	1,200 at 70 watts
• Kelvin (color temperature)	5000
Cord Specifications	
• Certification	SJT (oil resistant)
• Length	25'
• Plug	US 120V 3 prong with ground
• Composition	14 gauge 3-conductor copper wiring, SJT (oil resistant) certified neoprene jacket
Accessories/Options	
• Lenses	Super acrylic
• Mounting Brackets	FLP-1, FLP-2, FLP-3, FLP-4, FLP-5, FLP-6, FLP-7, FLP-8

See optional accessories below:



FLP-1



FLP-2



FLP-3



FLP-4



FLP-5



FLP-6



FLP-7



FLP-8

