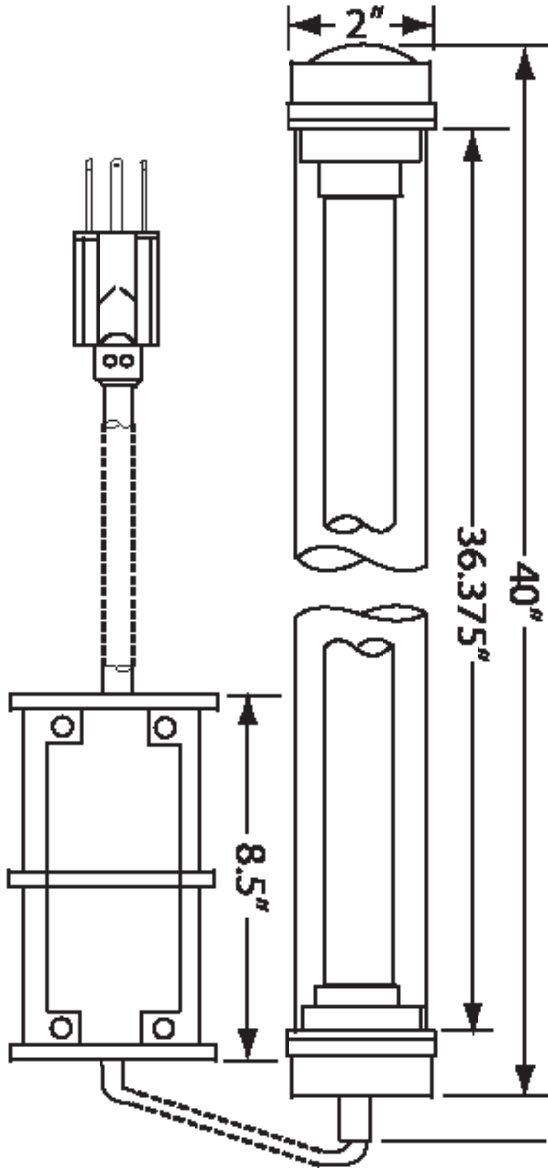


# FLP-4030



## Technical Specifications



Safety Certifications	
CE Mark of Declaration, TÜV Rheinland	
Waterproof Certification	
IP 67 (Waterproof Under Pressure)	
Dimensions	
• Length	40.0"
• Diameter	2.0"
• Beam	180°
• Net Weight	2 or 4 lbs
Material Specifications	
• Plastic	PVC
• Lens	Acrylic
Electrical Specifications	
• AC	120V
• Cycle	60 hz
• Transformer	In-line magnetic ballast
• Amperage	.3
• Wattage	30
• Lumen rating	2,200
• Kelvin (color temperature)	4100
• On/off switch	Push button at end cap
Cord Specifications	
• Certification	SJT (oil resistant)
• Length	6' or 25'
• Plug	US 120V 3 prong
• Composition	14 gauge 3-conductor copper wiring, SJT (oil resistant) certified neoprene jacket
Options	
• Mounting Brackets	FLP-1, FLP-2, FLP-3, FLP-4, FLP-5, FLP-6, FLP-7, FLP-8 (all pictured below)
• Bulbs	F30T8CW

Products specifications are subject to change.



**HALOGEN LIGHTING PRODUCTS CORPORATION™**  
 Telephone: 1-800-621-0001 • [www.halogen-lighting.com](http://www.halogen-lighting.com)