

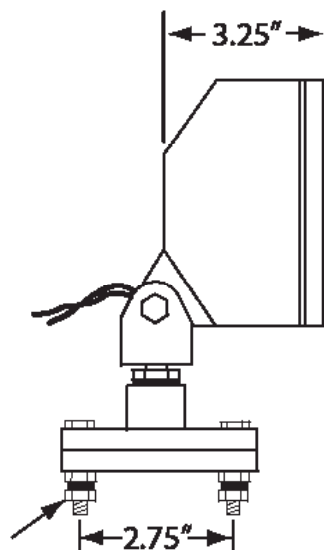
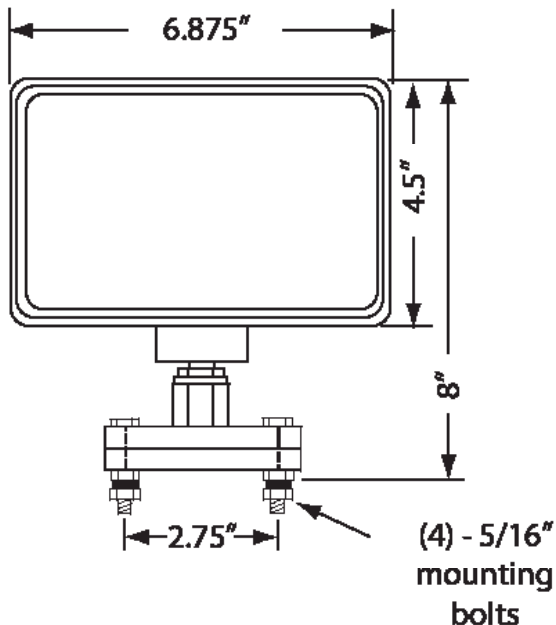
# HLP-700-24-70

## Technical Specifications

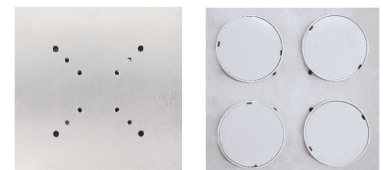


Waterproof Certification	
IP 67 (Waterproof under pressure)	
Dimensions	
• Height	8.0"
• Width	3.25"
• Base Dimensions	3" X 3", 5/16" mounting bolts
• Beam	67°
• Net Weight	5.0 lbs.
Material Specifications	
• Metal	Chromate-dipped, zinc plated steel
• Lamp housing	Polycarbonate
Electrical Specifications	
• Voltage	24VDC
• Cycle	N/A
• Transformer	Magnetic coil, located in base
• Amperage	2.9
• Wattage	70
• Lumen rating	1,200 at 70 watts
• Kelvin (color temperature)	4100
• On/off switch	No
Options	
• Mounting Brackets	HLP-30 (see below)
• Bulbs	HLP-4213-700-24

Products specifications are subject to change.



HLP-30



**HALOGEN LIGHTING PRODUCTS CORPORATION™**  
 Telephone: 1-800-621-0001 • [www.halogen-lighting.com](http://www.halogen-lighting.com)