

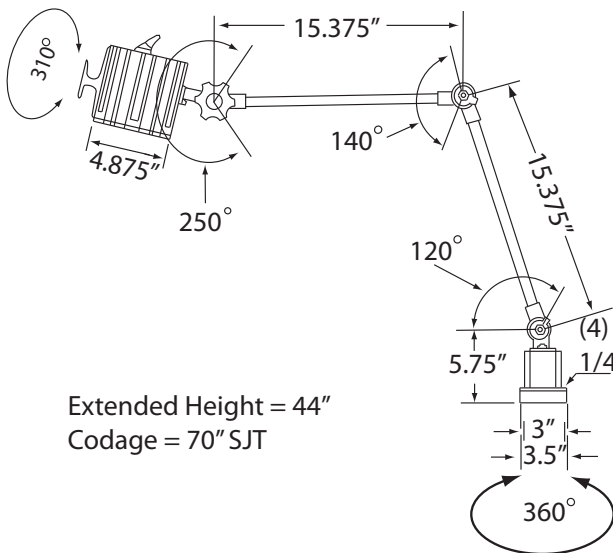


THE TOUGH GUY™

HLP-2000-L



Technical Specifications



Extended Height = 44"
Codage = 70" SJT

Safety Certifications	
CE Mark of Declaration, TÜV Rheinland	
Waterproof Certification	
IP 67 (Waterproof under pressure)	
Dimensions	
• Height	44.0"
• Width	
• Diameter	4.875
• Base Dimensions	3.5" X 3.5" , base flange is .25" with 5mm holes for mount
• Beam	310°
• Net Weight	11 lbs
Material Specifications	
• Metal	Anodized aluminum
• Gaskets	Neoprene polymer located at glass, base, and switch
• Lens	Tempered borosilicate glass
Electrical Specifications	
• AC	120
• DC	N/A
• Cycle	60hz
• Transformer	Magnetic coil, located inside base
• Amperage	.6
• Wattage	75
• Lumen rating	1,200 at 70 watts
• Kelvin (color temperature)	4100
• On/off switch	Toggle on/off
Cord Specifications	
• Certification	SJT (oil resistant)
• Length	6'
• Plug	Standard US 120V
• Composition	14 gauge 3-conductor copper wiring, SJT (oil resistant) certified neoprene jacket
Options	
• Lens	Frosted glass
• Mounting Brackets	HLP-22-2000 (see below) HLP-23 (see below) HLP-30 (not shown)
• Bulbs	HLP-70-H3-24, HLP-75-BI-24, HLP-100-BI-24
• Miscellaneous	BI-PIN KIT

HLP-22-2000



HLP-23



Products specifications are subject to change.



HALOGEN LIGHTING PRODUCTS CORPORATION™

Telephone: 1-800-621-0001 • www.halogen-lighting.com