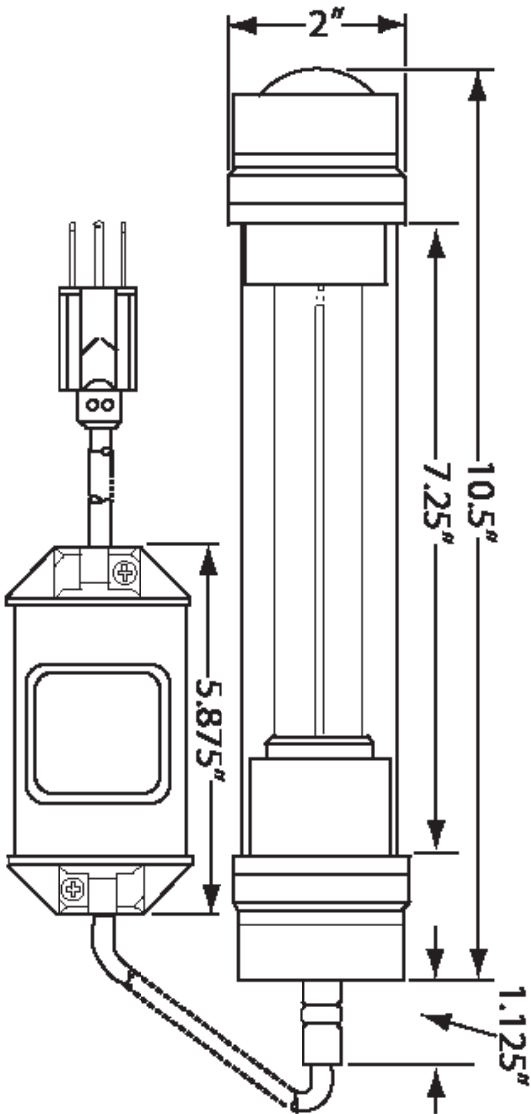


# FLP-1300



## Technical Specifications



Safety Certifications	
CE Mark of Declaration, TÜV Rheinland	
Waterproof Certification	
IP 67 (Waterproof Under Pressure)	
Dimensions	
• Length	11.0"
• Diameter	2.125"
• Beam	180°
• Net Weight	5 lbs
Material Specifications	
• Plastic	PVC
• Lens	Polycarbonate/Lexan
Electrical Specifications	
• AC	120
• Cycle	60 hz
• Transformer	Magnetic coil, external/inline
• Amperage	.2
• Wattage	13
• Lumen rating	900
• Kelvin (color temperature)	4100
• On/off switch	Push button at end cap
Cord Specifications	
• Certification	SJT (oil resistant)
• Length	25'
• Plug	US 120V 3 prong
• Composition	14 gauge 3-conductor copper wiring, SJT (oil resistant) certified neoprene jacket
Options	
• Lens	Glass tube lens
• Mounting Brackets	FLP-1, FLP-2, FLP-3, FLP-4, FLP-5, FLP-6, FLP-7, FLP-8 (magnetic cord bracket)
• Bulbs	PL13/41CW-RS

Products specifications are subject to change.



**HALOGEN LIGHTING PRODUCTS CORPORATION™**

Telephone: 1-800-621-0001 • [www.halogen-lighting.com](http://www.halogen-lighting.com)