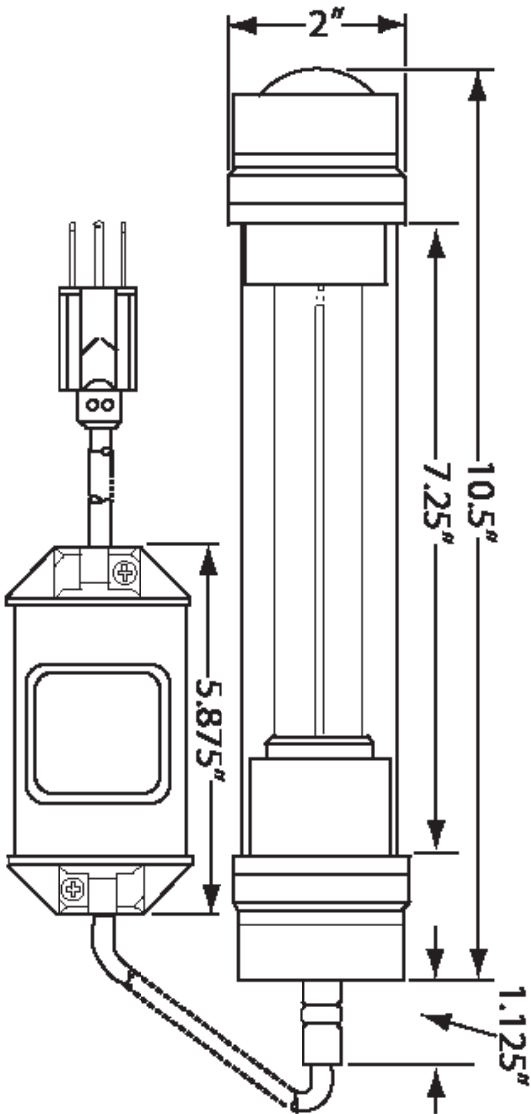


FLP-2600



Technical Specifications



Safety Certifications	
CE Mark of Declaration, TÜV Rheinland	
Waterproof Certification	
IP 67 (Waterproof Under Pressure)	
Dimensions	
• Length	11.0"
• Diameter	2.125"
• Beam	180°
• Net Weight	4 lbs
Material Specifications	
• Plastic	PVC
• Lens	Polycarbonate/Lexan
Electrical Specifications	
• AC	120V or 220V
• Cycle	50/60 hz
• Transformer	Inline electronic ballast
• Amperage	.40 or .22
• Wattage	26
• Lumen rating	1500
• Kelvin (color temperature)	4100
• On/off switch	Push button at end cap
Cord Specifications	
• Certification	SJT (oil resistant)
• Length	25'
• Plug	US 120V 3 prong
• Composition	14 gauge 3-conductor copper wiring, SJT (oil resistant) certified neoprene jacket
Options	
• Lens	Glass tube lens
• Mounting Brackets	FLP-1, FLP-2, FLP-3, FLP-4, FLP-5, FLP-6, FLP-7, FLP-8 (magnetic cord bracket)
• Bulbs	FL-C-26W-4

Products specifications are subject to change.



HALOGEN LIGHTING PRODUCTS CORPORATION™

Telephone: 1-800-621-0001 • www.halogen-lighting.com