

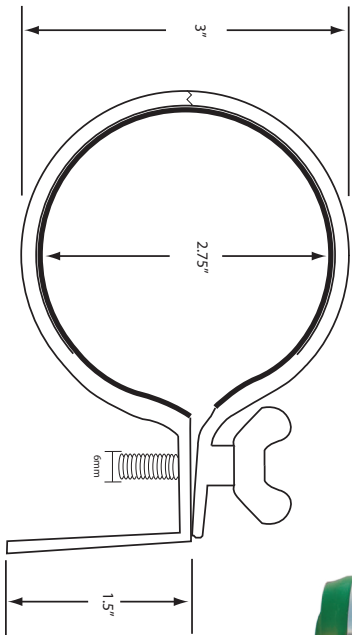
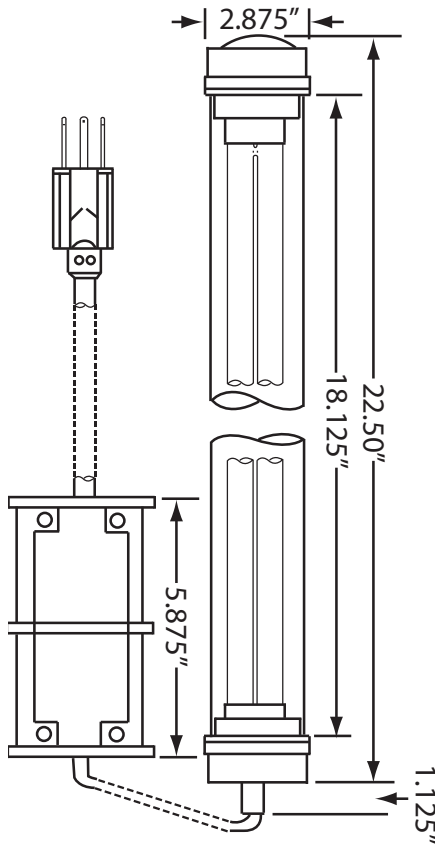


FLP-3600



Technical Specifications

Safety Certifications	
CE Mark of Declaration, TÜV Rheinland	
Waterproof Certification	
IP 67 (Waterproof Under Pressure)	
Dimensions	
• Length	11.0"
• Diameter	2.125"
• Beam	180°
• Net Weight	5.5 lbs
Material Specifications	
• Plastic	PVC
• Lens	Acrylic
Electrical Specifications	
• AC	120V or 240V
• Cycle	50/60 hz
• Transformer	In-line electronic ballast switchable between 120 and 240 volts
• Amperage	.55 at 120V or .32 at 240V
• Wattage	36
• Lumen rating	2900
• Kelvin (color temperature)	4100
• On/off switch	Push button at end cap
Cord Specifications	
• Certification	SJT (oil resistant)
• Length	25'
• Plug	US 120V 3 prong
• Composition	14 gauge 3-conductor copper wiring, SJT (oil resistant) certified neoprene jacket
Options	
• Lens	Glass tube lens
• Mounting Brackets	FLP-24-800/2, 90# magnets for standard mounting brackets (not shown)
• Bulbs	FT36DL/841



Products specifications are subject to change.

Standard Mounting Bracket



HALOGEN LIGHTING PRODUCTS CORPORATION™

Telephone: 1-800-621-0001 • www.halogen-lighting.com