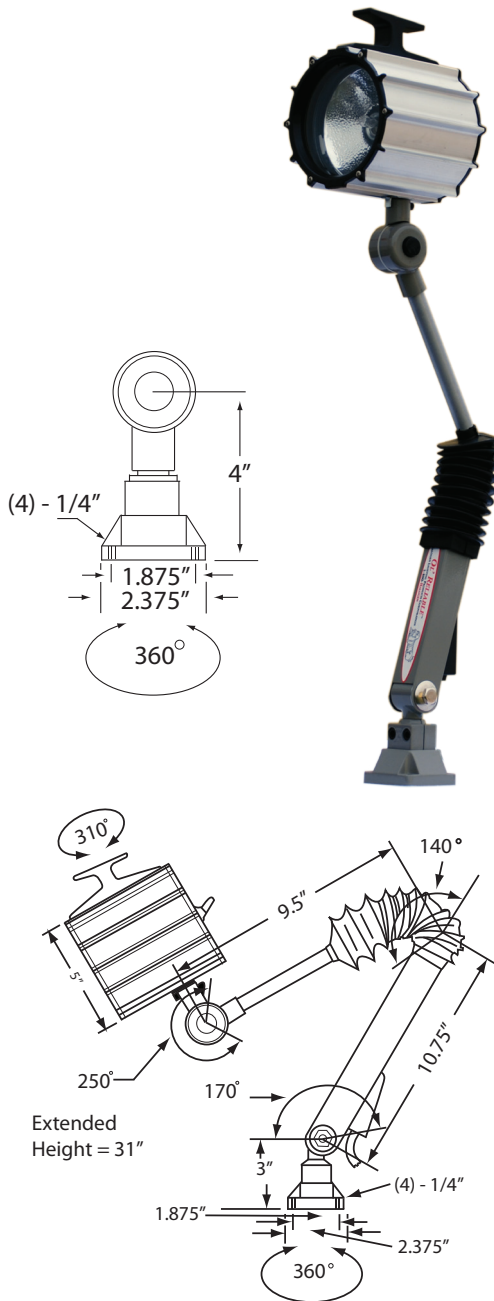


## Technical Specifications



| Safety Certifications                 |   |
|---------------------------------------|---|
| CE Mark of Declaration, TÜV Rheinland |   |
| Waterproof Certification              |   |
| IP 65 (Waterproof )                   |   |
| Dimensions                            |   |
| • Height                              | 41.0"   |
| • Diameter                            | 5.00"   |
| • Base Dimensions                     | 2.375" X 2.375", corners flanged with 5mm holes for mounting                      |
| • Beam                                | 310°  |
| • Net Weight                          | 4.5 lbs   |
| Material Specifications               |   |
| • Metal                               | Anodized aluminum   |
| • Gaskets                             | Neoprene polymer located at glass, and switch                                     |
| • Lens                                | Tempered borosilicate glass   |
| Electrical Specifications             |   |
| • AC                                  | 120V  |
| • Cycle                               | 60 hz   |
| • Transformer                         | 120/24 Electronic, located in lower arm towards base                              |
| • Amperage                            | .6  |
| • Wattage                             | 75  |
| • Lumen rating                        | 1,200 at 70 watts   |
| • Kelvin (color temperature)          | 4100  |
| • On/off switch                       | Toggle on/off   |
| Cord Specifications                   |   |
| • Certification                       | SJT (oil resistant)   |
| • Length                              | 6'  |
| • Plug                                | Grounded 3 prong US 120V  |
| • Composition                         | 14 gauge 3-conductor copper wiring, SJT (oil resistant) certified neoprene jacket |
| Options                               |   |
| • Lens                                | Thick curved lens   |
| • Mounting Brackets                   | HLP-22-001 (see below)<br>HLP-23 (see below)                                      |
| • Bulbs                               | HLP-70-H3-24, HLP-75-BI-24, HLP-100-BI-24   |
| • Miscellaneous                       | N/A   |

Products specifications are subject to change.

## Optional Accessories

HLP-22-001



HLP-23



**HALOGEN LIGHTING PRODUCTS CORPORATION™**

Telephone: 1-800-621-0001 • [www.halogen-lighting.com](http://www.halogen-lighting.com)