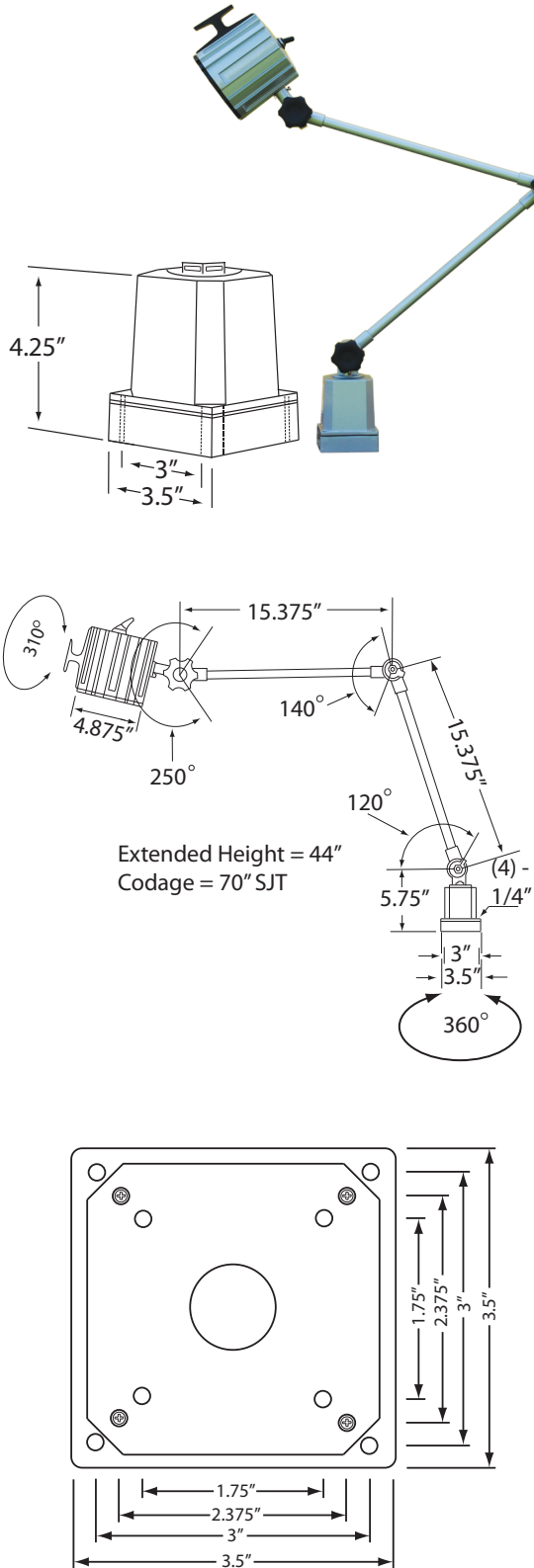


## Technical Specifications



| Safety Certifications                 |   |
|---------------------------------------|---|
| CE Mark of Declaration, TÜV Rheinland |   |
| Waterproof Certification              |   |
| IP 67 (Waterproof Under Pressure)     |   |
| Dimensions                            |   |
| • Height                              | 44.0"   |
| • Diameter                            | 4.875"  |
| • Base Dimensions                     | 3.5" X 3.5" , base flange is .25" with 5mm holes for mount                        |
| • Beam                                | 310°  |
| • Net Weight                          | 8.5 lbs   |
| Material Specifications               |   |
| • Metal                               | Anodized aluminum   |
| • Gaskets                             | Neoprene polymer located at glass, base, and switch                               |
| • Lens                                | Tempered borosilicate glass   |
| Electrical Specifications             |   |
| • AC                                  | 120V  |
| • DC                                  | N/A   |
| • Cycle                               | 60hz  |
| • Transformer                         | Magnetic coil located in base. LED driver located in head                         |
| • Amperage                            | .6  |
| • Wattage                             | 8   |
| • Lux Rating                          | 8,000 lx from 18"   |
| • Kelvin (color temperature)          | 5,000   |
| Cord Specifications                   |   |
| • Certification                       | SJT (oil resistant)   |
| • Length                              | 6'  |
| • Plug                                | US 120V 3 prong with ground   |
| • Composition                         | 14 gauge 3-conductor copper wiring, SJT (oil resistant) certified neoprene jacket |
| Accessories/Options                   |   |
| • Lenses                              | Frosted glass   |
| • Mounting Brackets                   | HLP-22-2000 (see below), HLP-23 (see below)                                       |

Product Specifications are subject to change

