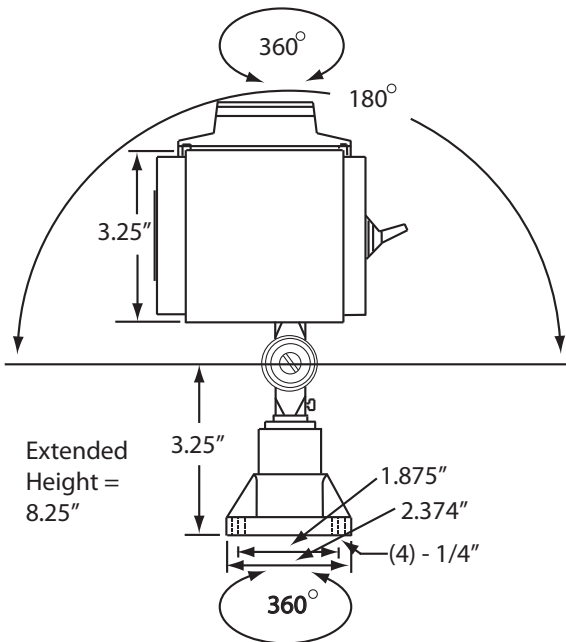


## Technical Specifications



Safety Certifications	
CE Mark of Declaration, TÜV Rheinland	
Waterproof Certification	
IP 65 (Waterproof )	
Dimensions	
• Height	8.25"
• Diameter	3.25"
• Base Dimensions	2.375" X 2.375", .25" flanged corners with 5mm mounting holes
• Beam	310°
• Net Weight	6 lbs
Material Specifications	
• Metal	Anodized aluminum
• Gaskets	Neoprene polymer located at head, boot, and switch
• Lens	Tempered borosilicate glass
Electrical Specifications	
• Voltage	120VAC
• Cycle	60 hz
• Transformer	Magnetic coil, located on cord
• Amperage	.4
• Wattage	50
• Kelvin (color temperature)	4100
• On/off switch	Toggle located on light head's back plate
Cord Specifications	
• Certification	SJT (oil resistant)
• Length	70.0"
• Plug	US 120V 3 prong
• Composition	14 gauge 3-conductor copper wiring, SJT (oil resistant) certified neoprene jacket
Options	
• Lens	Thick curved lens
• Mounting Brackets	HLP-22-2000 (see below) HLP-23 (see below) HLP-30 (see below)
• Bulbs	HLP-70-H3-24, HLP-75-BI-24, HLP-100-BI-24

Products specifications are subject to change.

HLP-22-2000



HLP-23



HLP-30

