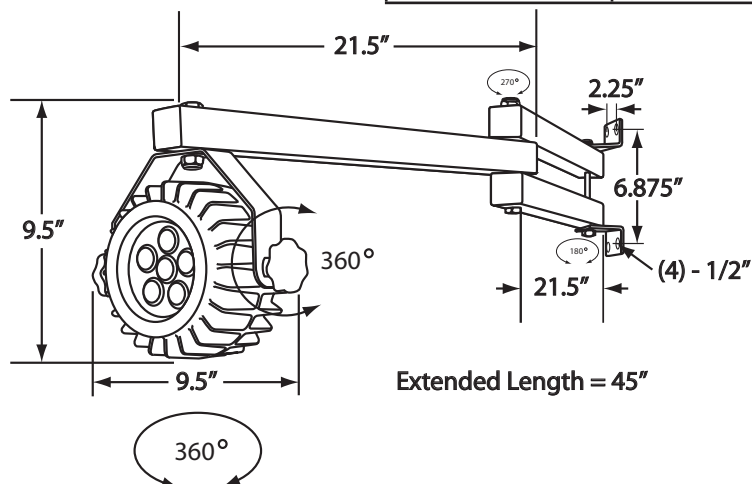


## Technical Specifications



Safety Certifications	
CE Mark of Declaration, RoHS Compliant	
Waterproof Certification	
IP65 (Waterproof Under Pressure)	
Dimensions (Arm)	
• Length	42.0"
• Width	4.75" at double strut, strut width 1.5"
• Height	1.5"
• Net Weight	13.0 pounds
Dimensions (Head)	
• Diameter	6.5"
• Width	4.0"
• Beam	50°
• Net Weight	6.0 pounds
Material Specifications	
• Housing	Cast Aluminum
• Lens	Polycarbonate
Electrical Specifications	
• Voltage	100-240 VAC
• Cycle	50/60hz
• Driver	Variable voltage driver located in light head
• Amperage	.21 @ 120 VAC
• Wattage	18
• Lumen rating	1,248
• Kelvin (color temperature)	5,000
• On/off switch	Toggle switch behind light head
Cord Specifications	
• Certification	SJT (oil resistant)
• Length	22'
• Plug	Standard grounded US 3 prong male plug. (NEMA 5-15)
• Composition	16 gauge 3-conductor copper wiring, SJT (oil resistant) certified neoprene jacket



Product specifications are subject to change.



**HALOGEN LIGHTING PRODUCTS CORPORATION™**

Telephone: 1-800-621-0001 • [www.halogen-lighting.com](http://www.halogen-lighting.com)