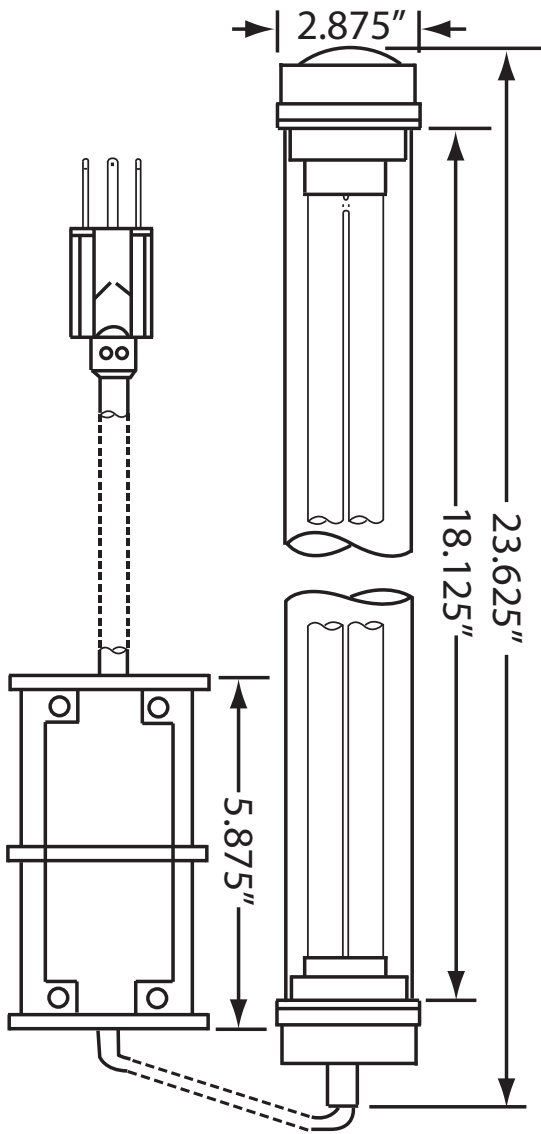




# FLP-3600/N

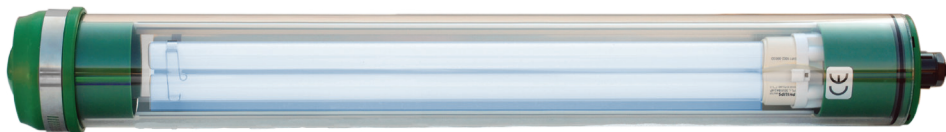


## Technical Specifications



Safety Certifications	
CE Mark of Declaration, TÜV Rheinland US and Canada	
Waterproof Certification	
IP 67 (Waterproof Under Pressure)	
Dimensions	
• Length	23.625"
• Diameter	2.875"
• Beam	180°
• Net Weight	8 lbs.
Material Specifications	
• Plastic	PVC
• Lens	Acrylic
Electrical Specifications	
• Voltage	120 or 240 VAC
• Cycle	50/60 hz
• Ballast	In-line electronic ballast
• Amperage	.33 or .16
• Wattage	36
• Lumen rating	2,900
• Kelvin (color temperature)	4,100
• On/off switch	No
Cord Specifications	
• Certification	SJT (oil resistant)
• Length	25'
• Plug	Standard grounded US 3 prong male plug. (NEMA 5-15)
• Composition	16 gauge 3-conductor copper wiring, SJT (oil resistant) certified neoprene jacket
Accessories/Options	
• Lens	Glass tube lens
• Mounting Brackets	FLP-24-800/2, 90# magnets for standard mounting brackets (Not Shown)
• Bulbs	FT36DL/841

Standard Mounting Brackets (Included)



Products specifications are subject to change.



**HALOGEN LIGHTING PRODUCTS CORPORATION™**

Telephone: 1-800-621-0001 • [www.halogen-lighting.com](http://www.halogen-lighting.com)