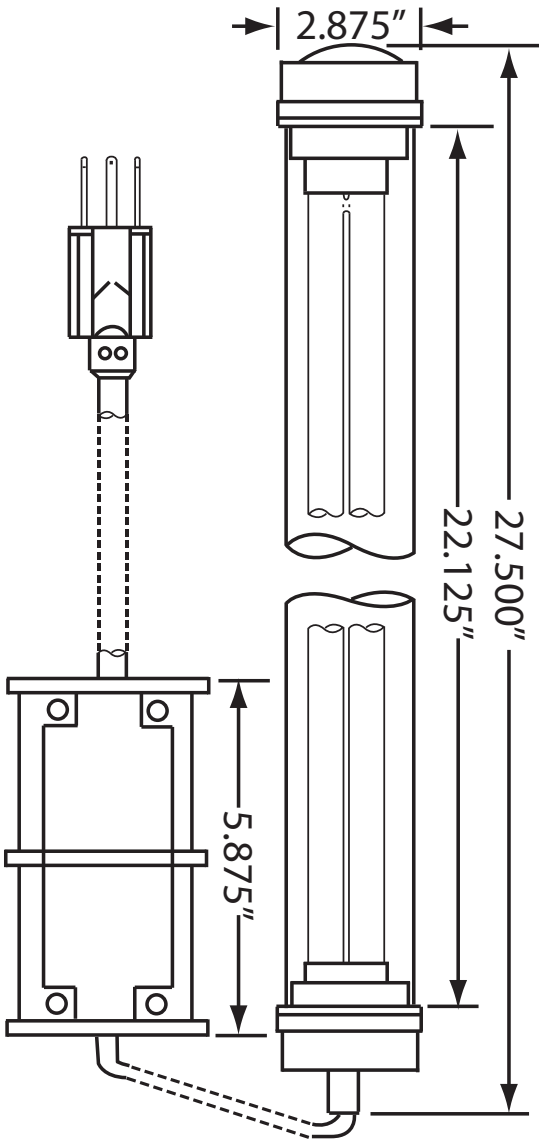
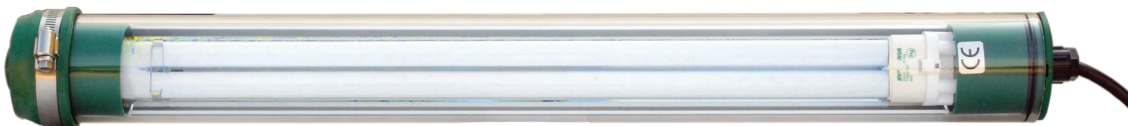


## Technical Specifications



| Safety Certifications                               |                                                                                   |
|-----------------------------------------------------|-----------------------------------------------------------------------------------|
| CE Mark of Declaration, TÜV Rheinland US and Canada |                                                                                   |
| Waterproof Certification                            |                                                                                   |
| IP 67 (Waterproof Under Pressure)                   |                                                                                   |
| Dimensions                                          |                                                                                   |
| • Length                                            | 27.500"                                                                           |
| • Diameter                                          | 2.875"                                                                            |
| • Beam                                              | 180°                                                                              |
| • Net Weight                                        | 9 lbs.                                                                            |
| Material Specifications                             |                                                                                   |
| • Plastic                                           | PVC                                                                               |
| • Lens                                              | Acrylic                                                                           |
| Electrical Specifications                           |                                                                                   |
| • Voltage                                           | 120 or 240 VAC                                                                    |
| • Cycle                                             | 50/60 hz                                                                          |
| • Ballast                                           | In-line electronic ballast                                                        |
| • Amperage                                          | .50 or .25                                                                        |
| • Wattage                                           | 55                                                                                |
| • Lumen rating                                      | 4,800                                                                             |
| • Kelvin (color temperature)                        | 4,100                                                                             |
| • On/off switch                                     | No                                                                                |
| Cord Specifications                                 |                                                                                   |
| • Certification                                     | SJT (oil resistant)                                                               |
| • Length                                            | 25'                                                                               |
| • Plug                                              | Standard grounded US 3 prong male plug. (NEMA 5-15)                               |
| • Composition                                       | 16 gauge 3-conductor copper wiring, SJT (oil resistant) certified neoprene jacket |
| Accessories/Options                                 |                                                                                   |
| • Lens                                              | Glass tube lens                                                                   |
| • Mounting Brackets                                 | FLP-24-800/2, 90# magnets for standard mounting brackets (Not Shown)              |
| • Bulbs                                             | DLL55W/841/4P                                                                     |

Standard Mounting Brackets (Included)



Products specifications are subject to change.



**HALOGEN LIGHTING PRODUCTS CORPORATION™**

Telephone: 1-800-621-0001 • [www.halogen-lighting.com](http://www.halogen-lighting.com)