



**THE TOUGH GUY™**

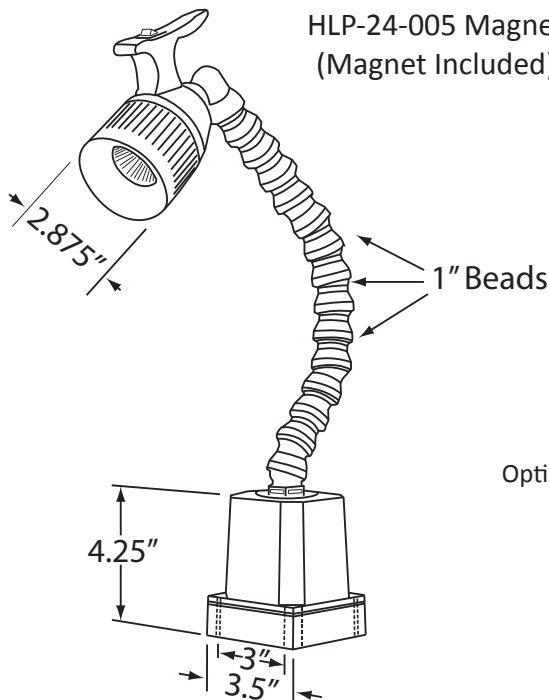
# HLP-005-20 & HLP-24-005



## Technical Specifications



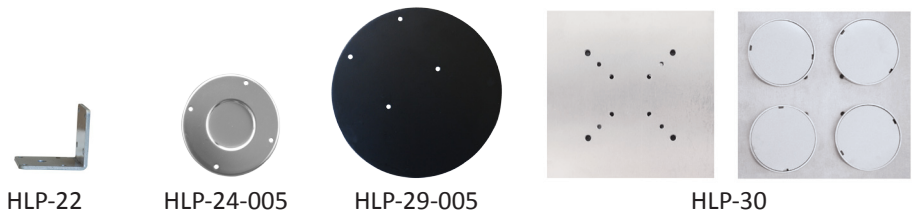
Shown mounted with  
HLP-24-005 Magnet  
(Magnet Included)



Safety Certifications	
CE Mark of Declaration, TÜV Rheinland	
Waterproof Certification	
IP 54 (Splashproof)	
Dimensions	
• Height	28.375"
• Head Diameter	2.875"
• Base Dimensions	3.5" X 3.5" , base flange is .25" with 5mm holes for mount
• Beam	36°
• Net Weight	5 lbs
Material Specifications	
• Metal	Anodized aluminum
• Gaskets	Neoprene polymer located at base
• Lens	Tempered borosilicate glass
Electrical Specifications	
• Voltage	120 VAC
• Cycle	60 hz
• Transformer	Magnetic coil, located in base
• Amperage	.34
• Wattage	35
• Kelvin (color temperature)	4,100
• On/off switch	Rocker switch located on handle, dimmable switch at base
Cord Specifications	
• Certification	SJT (oil resistant)
• Length	6'
• Plug	Standard grounded US 3 prong male plug. (NEMA 5-15)
• Composition	16 gauge 3-conductor copper wiring, SJT (oil resistant) certified neoprene jacket
Accessories/Options	
• Mounting Brackets	HLP-22, HLP-24-005, HLP-29-005, HLP-30 (All Pictured Below) HLP-22-2000 (Not Shown)
• Bulbs	HLP-35-MR16-12

Products specifications are subject to change.

Optional Accessories:



**HALOGEN LIGHTING PRODUCTS CORPORATION™**

Telephone: 1-800-621-0001 • [www.halogen-lighting.com](http://www.halogen-lighting.com)