

# HLP-700-24-70

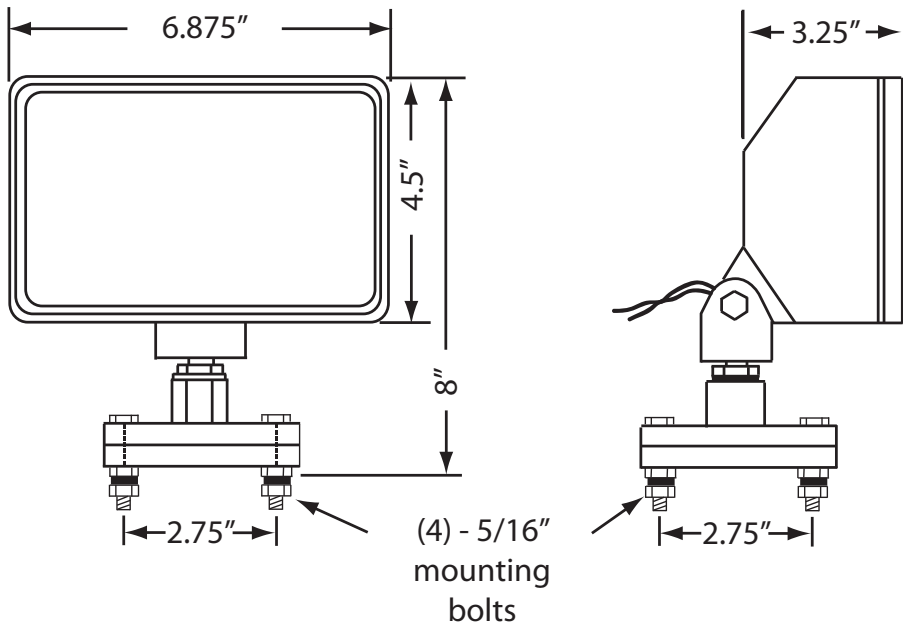


## Technical Specifications



Waterproof Certification	
Water-resistant	
Dimensions	
• Height	8.0"
• Width	3.25"
• Base Dimensions	2.75" X 2.75", 5/16" mounting bolts
• Beam	67°
• Net Weight	5.0 lbs.
Material Specifications	
• Metal	Chromate-dipped, zinc plated steel
• Lamp housing	Polycarbonate
Electrical Specifications	
• Voltage	24 VDC
• Cycle	N/A
• Transformer	N/A, wire directly to power 24V AC or DC power source
• Amperage	2.9
• Wattage	70
• Lumen rating	1,200 at 70 watts
• Kelvin (color temperature)	4,100
• On/off switch	N/A
Accessories/Options	
• Bulbs	HLP-4213-700-24

Products specifications are subject to change.



**HALOGEN LIGHTING PRODUCTS CORPORATION™**  
 Telephone: 1-800-621-0001 • [www.halogen-lighting.com](http://www.halogen-lighting.com)