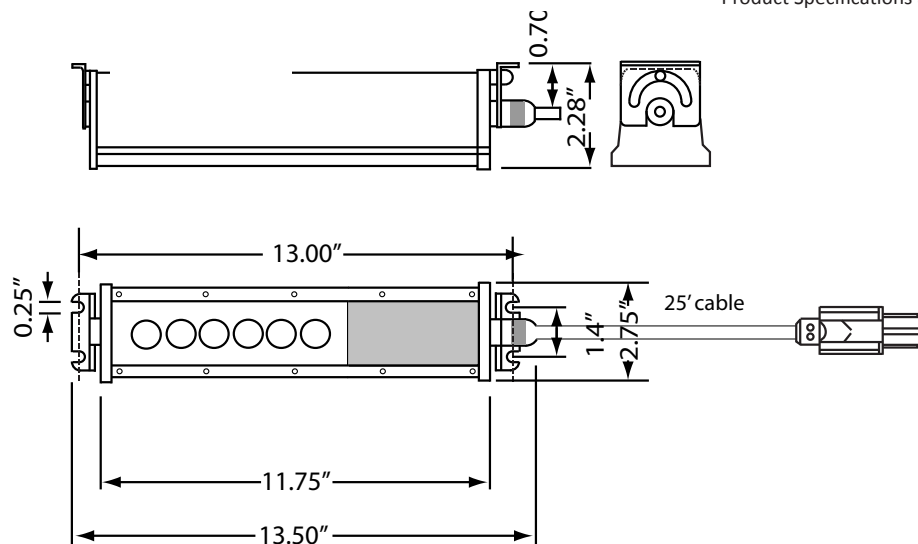


## Technical Specifications



Safety Certifications	
CE Mark of Declaration, TUV Rheinland, RoHS Compliant	
Waterproof Certification	
IP69K (Waterproof Under High Pressure/High Temperature)	
Dimensions	
• Length	13.50"
• Width	2.75"
• Height	2.28"
• Beam	80°
• Net Weight	2.5 pounds
Material Specifications	
• Housing	Anodized aluminum
• Lens	Tempered glass
Electrical Specifications	
• Voltage	100-240 VAC
• Cycle	50/60hz
• Driver	Variable voltage inline smart driver
• Amperage	.27 @ 120 VAC
• Wattage	16
• Lumen rating	1,248
• Kelvin (color temperature)	5,000
• On/off switch	N/A
Cord Specifications	
• Certification	SVT (oil resistant)
• Length	25'
• Plug	Standard grounded US 3 prong male plug. (NEMA 5-15)
• Composition	18 gauge 3-conductor copper wiring, SVT (oil resistant) certified neoprene jacket

Product Specifications are subject to change.



**HALOGEN LIGHTING PRODUCTS CORPORATION™**

Telephone: 1-800-621-0001 • [www.halogen-lighting.com](http://www.halogen-lighting.com)