



THE TOUGH GUY™

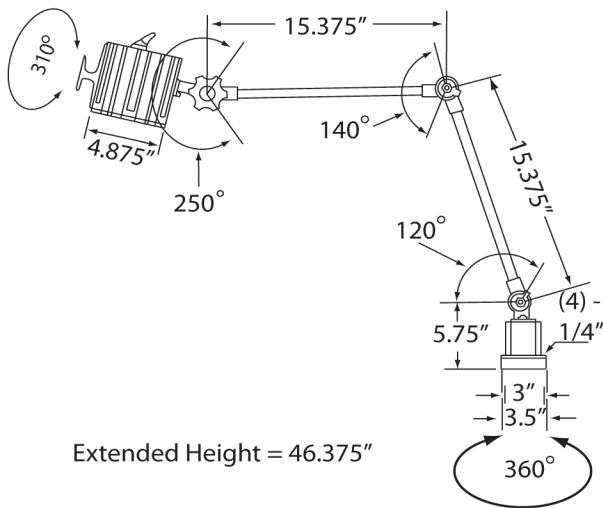
HLP-2000L



Technical Specifications



Safety Certifications	
CE Mark of Declaration	
Waterproof Certification	
IP 67 (Waterproof under pressure)	
Dimensions	
• Height	46.375"
• Head Diameter	4.875"
• Base Dimensions	3.5" X 3.5" , base flange is .25" with 5mm holes for mount
• Beam	67°
• Net Weight	11 lbs
Material Specifications	
• Metal	Anodized aluminum
• Gaskets	Neoprene polymer located at glass, base, and switch
• Lens	Tempered borosilicate glass
Electrical Specifications	
• Voltage	120 VAC
• Cycle	60 hz
• Transformer	Magnetic coil, located inside base
• Amperage	.6
• Wattage	75
• Lumen rating	1,350 at 75 watts
• Kelvin (color temperature)	4,100
• On/off switch	Toggle switch located on the back of light head
Cord Specifications	
• Certification	SJT (oil resistant)
• Length	6'
• Plug	Standard grounded US 3 prong male plug. (NEMA 5-15)
• Composition	16 gauge 3-conductor copper wiring, SJT (oil resistant) certified neoprene jacket
Accessories/Options	
• Lens	Frosted glass
• Mounting Brackets	HLP-22, HLP-24-005, HLP-29-005, HLP-30 (All Pictured Below) HLP-22-2000 (Not Shown)
• Bulbs	HLP-75-BI-24, HLP-100-BI-24, HLP-70-H3-24
• Miscellaneous	BI-PIN KIT



Extended Height = 46.375"

Optional Accessories:



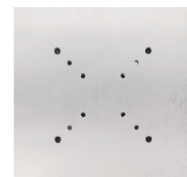
HLP-22



HLP-24-005



HLP-29-005



HLP-30

Products specifications are subject to change.



HALOGEN LIGHTING PRODUCTS CORPORATION™

Telephone: 1-800-621-0001 • www.halogen-lighting.com